

# U10-3

For Earth, For Life

Kubota

Kubota Mini Excavator





# The U10-3 sets the standard for all ultra-compact excavators

Spacious, comfortable and more productive, yet it fits in the tightest space.

## Operational Performance

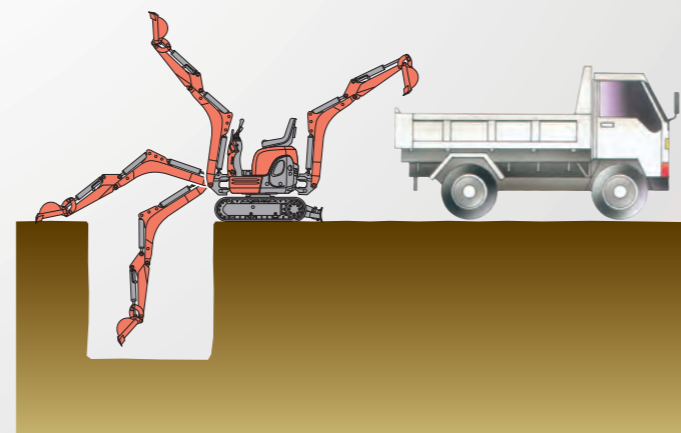
Turning radius  
500mm



### Working range

The excellent reach and digging depth of U10-3 ensure that each digging operation is performed with maximum efficiency and speed.

Max. digging depth: **1800mm**  
Max. digging radius: **3380mm**



### Zero tail swing

Zero tail swing prevents any damage from occurring to the engine cover. It allows the operator to focus more on the operation at hand.

Turning radius: **500mm**

### Boom cylinder

By locating above the boom, the boom cylinder remains safe from damage during breaker or dumping operation.



### Two-speed travel

You can maneuver around job site faster by stepping on the high speed pedal.

Travel speed (1st / 2nd gear): **2.0 / 4.0km/h**

### Spacious legroom

The spacious legroom contributes to make the operator feel more at ease during operation.



### Two pattern selection system

Two pattern selection system is standard equipment. It allows the operator to select well experienced operational control pattern.



### Kubota engine

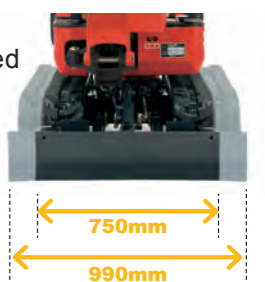
Powerful and dependable. The U10-3 diesel engine delivers superior horsepower and performance. It offers low noise, vibration level and exceptional fuel efficiency.

Output: **7.7kW (10.3HP)**



### Variable track width

The U10-3 features a hydraulic track gauge that can be adjusted from 750mm to 990mm. With the touch of a single lever, you can reduce the track gauge to navigate narrow spaces or increase it to improve functionality.



Changing the blade width is as easy as removing one pin by hand.



## Easy maintenance

### Full-opening bonnet

Full-opening bonnet and engine layout make daily inspection and maintenance of essential component easily.



### Two-piece dozer hose

Two-piece dozer hose connection simplify hose replacement and reduce downtime.



### Service indicator

Individual indicator provides the diagnostic information.



### Protected front hoses

Hoses are well protected from damage because front hoses and service port hoses run inside of the boom and arm. (Service port hoses are hidden inside of the boom.)



### Anti-collision structure hood

The hood is located inside of the rotating part to prevent damage from accidental collision.



**Kubota Genuine Parts** for maximum performance, durability and safety

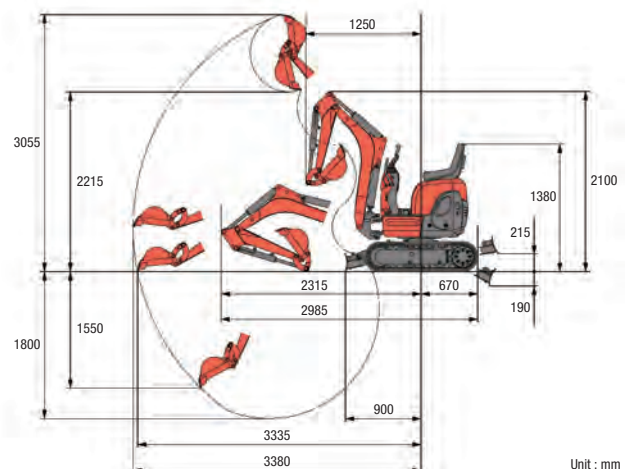
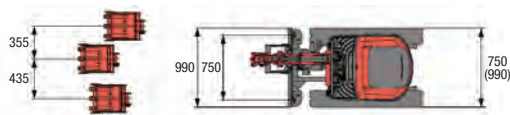


## Specifications

Model		U10-3	
Bucket capacity	m <sup>3</sup>	0.022	
Std.bucket width: (with/without cutting blade)	mm	368 / 350	
Machine weight	kg	980	
Operating weight (Including operator weight 75kg)	kg	1055	
Dimensions (in transport condition)	Overall length	mm	2985
	Overall height	mm	1380
	Overall width	mm	750 / 990
	Min. ground clearance	mm	140
Engine	Model	Kubota D722-E3-BH6	
	Total displacement	cc	719
	Rated Output (SAE J1995 gross)	kW (HP) / rpm	7.7 (10.3) / 2050
Working range	Max. digging height	mm	3055
	Max. dumping height	mm	2215
	Max. digging depth	mm	1800
	Max. vertical wall digging depth	mm	1550
	Max. digging radius	mm	3380
	Boom swing (left/right)	deg	55 / 55
	Min. turning radius (with swing)	mm	1250 (1075)
	Min. tail turning radius	mm	500
Max. breakout force (bucket)	kN (kgf)	10.4 (1060)	
Track type	Rubber		
Track width	mm	180	
Travel section	Crawler length	mm	1340
	Tumbler distance	mm	1010
	Travel speed (1st/2nd gear)	km / h	2.0 / 4.0
	Max. climbing angle	deg	30
Swing speed	rpm	8.3	
Blade	Width	mm	750 / 990
	Height	mm	200
	Max. lift above ground/drop below ground	mm	215 / 190
Hydraulic pump type	Variable pump x 2 + gear pump x 1		
Swivel motor type	Orbit motor		
Travel motor type	Orbit motor		
Fuel tank capacity	L	12	

\* Specifications in this catalog are subject to change without prior notice.

## Working Range of U10-3



Unit : mm



陸機械私人有限公司  
LAND EQUIPMENT PTE LTD

32 JOO KOON ROAD SINGAPORE 628985  
TEL: (65) 6862-5223 FAX: (65) 6861-5223  
E-Mail: sales@land-equipment.com.sg  
Website: <http://www.land-equipment.com.sg>

AKK1724